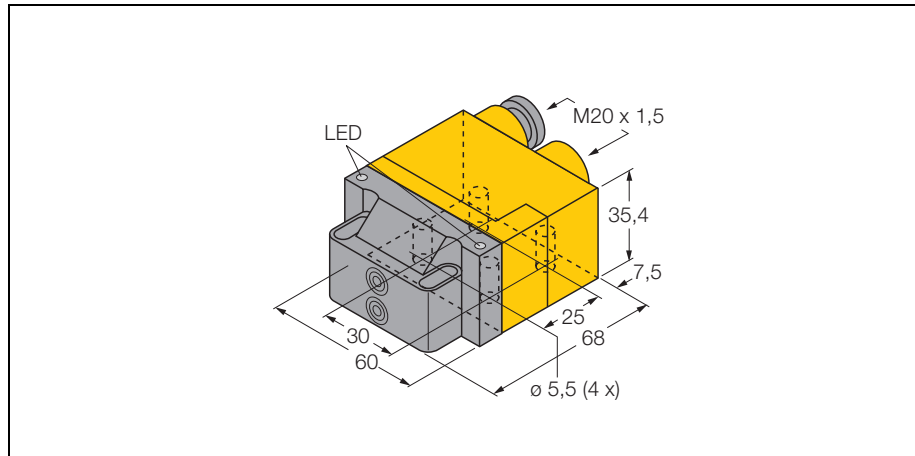
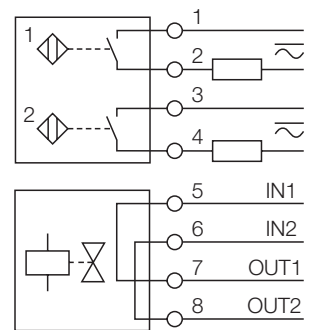


inductive
dual sensor for rotary actuators
Ni4-DSU26TC-2ADZ30X2



- rectangular, housing style DSU26
- plastic, PP-GF30-VO
- two outputs for monitoring the position of rotary actuators
- Mounting on all standard actuators
- AC 4-wire, 20...250 VAC
- 4-wire DC, 10...300 VDC
- 2 x normally open
- Terminal chamber

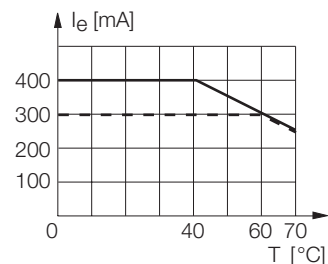
Wiring diagram



Functional principle

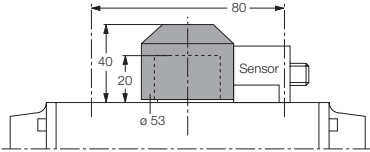
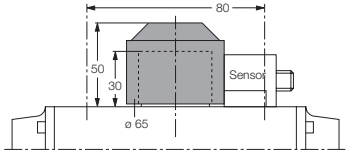
Inductive sensors are designed for wear-free and non-contact detection of metal objects. Dual sensors are especially designed for position detection in rotary actuators. They combine the reliability of non-contact inductive sensors with the flexibility of a modular housing system.

Type	Ni4-DSU26TC-2ADZ30X2
Ident-No.	4290004
Rated operating distance Sn	4 mm
Mounting condition	non-flush
Correction factors	St37 = 1, V2A ~ 0.7, Ms ~ 0.4, Al ~ 0.3
Repeatability	≤ 2 %
Temperature drift	≤ ± 10 %
Hysteresis	3... 15 %
Ambient temperature	-25...+ 70 °C
Operating voltage	20... 250VAC
Operating voltage	10... 300VDC
AC rated operational current	≤ 400 mA
DC rated operational current	≤ 300 mA
Frequency	50... 60 Hz
Residual current	≤ 1.7 mA
Rated insulation voltage	≤ 1.5 kV
Surge current	≤ 3 A (≤ 20 ms max. 5 Hz)
Short-circuit protection	yes / latching
Voltage drop at I _e	≤ 6V
Wire breakage / Reverse polarity protection	yes / complete
Output function	4-wire, 2x NO
Smallest operating current I _m	≥ 3 mA
Valve control	Exi (max. 45 V)
Switching frequency	≤ 0.02kHz
Housing	dual sensor for valve monitoring, DSU26
Dimensions	68 x 60 x 35.4 mm
Housing material	plastic, PP-GF30
Material active face	plastic, PP-GF30
Connection	terminal chamber
Clamping ability	≤ 2.5mm ²
Vibration resistance	55 Hz (1 mm)
Shock resistance	30g (11 ms)
Degree of protection	IP67
Display switch state	2 x LED yellow / red
Included in scope of supply	2 cable glands (blue), 1 blanking plug



**inductive
dual sensor for rotary actuators
Ni4-DSU26TC-2ADZ30X2**

Accessories

Type code	Ident-No.	Short text	Dimension drawing
BTS-DSC26-EB1	6900222	actuation kit (puck); end position dampened; hole pattern on flange surface 80 x 30 mm and 130 x 30 mm; connection shaft (shaft extension) height 20 mm / Ø max. 35 mm	
BTS-DSC26-EB2	6900223	actuation kit (puck); end position dampened; hole pattern on flange surface 80 x 30 mm and 130 x 30 mm; connection shaft (shaft extension) height 30 mm / Ø max. 50 mm	
BTS-DSC26-EB3	6900224	actuation kit (puck); end position dampened; hole pattern on flange surface 30 x 130 mm; connection shaft (shaft extension) height 30 mm / Ø max. 85 mm	